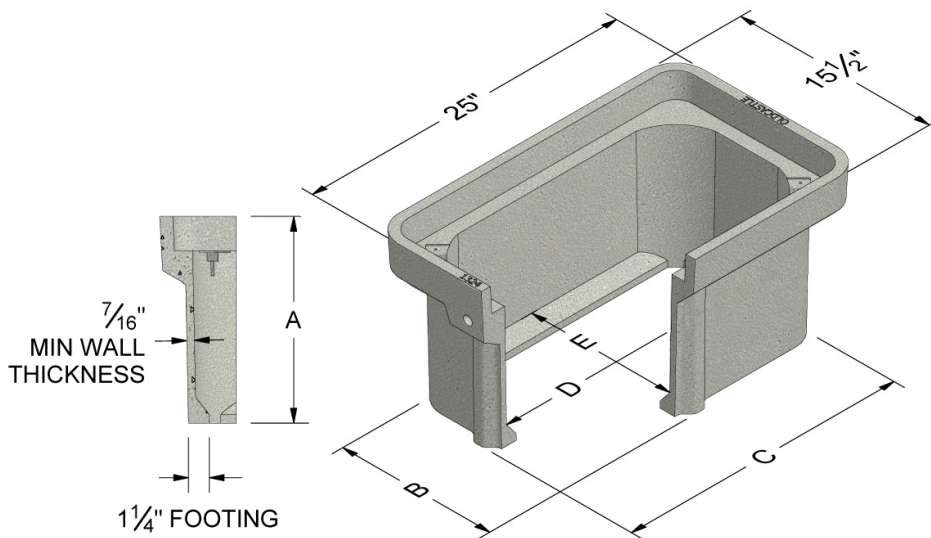
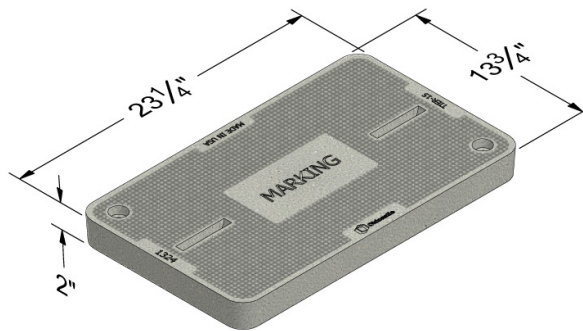


# 1324



Bolt Down Detail



	A	B	C	D	E
1324-12	12	13-1/2	23	20-7/8	11-3/8
1324-18	18	13-3/8	22-7/8	20-5/8	11-1/8
1324-24	24	13-1/4	22-3/4	20-3/8	10-7/8

**COVER:**

- Style: Flush Solid
- Material: Polymer Concrete
- Model: 13" x 24"
- Weight: Tier 15: 38 lbs  
Tier 22: 51 lbs
- Std. Fasteners: 1/2-13 Stainless Steel Hex Head Bolt, Washer and Floating Nut
- Options: Logos and Special Markings
- Surface: Slip Resistant & Marked\*
- Coefficient of Friction: >0.6 ASTM 1028
- Performance: ANSI/SCTE-77 Tier 15, WUC 3.6  
ASTM C857 A-12  
ANSI/SCTE-77 Tier 22, WUC 3.6,  
ASTM C857 A-16

**BODY:**

- Material: Polymer Concrete
- Model: 13" x 24"
- Weight: 12" Depth: 51 lbs  
18" Depth: 69 lbs  
24" Depth: 88 lbs
- Wall Type: Straight
- Performance: ANSI/SCTE-77 Tier 22, WUC 3.6,  
ASTM C857 A-16



Medium Duty:  
Non-deliberate Traffic



Heavy Duty: Incidental,  
Non-deliberate Traffic

For use in non-vehicular traffic situations only.

Actual load rating is determined by the box and cover combination. Weights and dimensions may vary slightly.

Rev 12/2016 ©2016 Oldcastle, Inc.

\* Cover comes standard with permanent markings for manufacturer, load rating, model size and manufacturing location.

Contact your Oldcastle Enclosure Solutions Distribution Center for specific information and additional options.

**1324**

**Options:**

**Available Polymer Covers:**

Flush Solid (Standard)

**Available Steel Covers:**

One Piece

**Fastener Options for Polymer Covers:**

- Penta Head Bolt
- Oldcastle Enclosures Vandal Resistant Bolt
- Penta Coil Thread Bolt
- Captive Bolt Retainer

**Custom Options for Polymer Covers:**

4" x 8" Plate with Custom Markings

**Add on Options:**

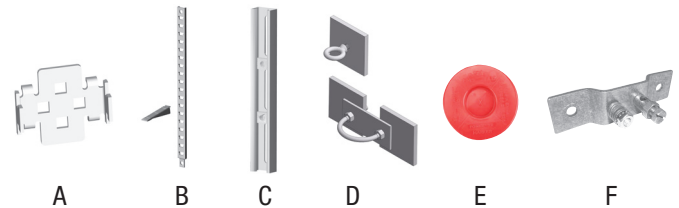
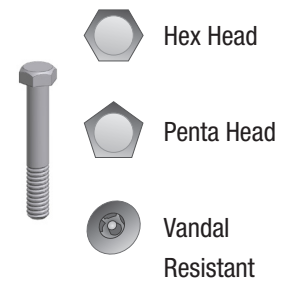
- EMS Marker (E)
- Mouseholes/Knockouts
- Rack Mount (A)
- Cable Racks/Cable Arms (B)
- Unistrut (C)
- Pulling Eye - 1,000 lb and 3,000 lb (D)
- Ground Buss (F)
- Dividers
- Racking Provision
- Lid Gaskets\*
- Solid Bottom
- Bodies are Stackable (with tallest body on bottom)



Polymer Cover



Steel Cover



\*Lid Gaskets inhibit water flow into the box, they do not make Enclosure fully waterproof.

**Raw Material Specifications:**

Standard Test Method	Properties of Raw Material	ASTM Designation	Typical Value
Compressive Strength of Polymer Concretes	Compressive Strength	C 579	> 11,000 psi
Flexural Properties of Plastic Materials	Flexural Strength	D 790	> 3,000 psi
Resistance of Plastics to Chemical Reagents	Chemical Resistance	D 543	Retain > 75% of original strength
Impact Resistance by Means of a Falling Weight	Impact Resistance	D 2444	> 70 ft-lb
Static Coefficient of Friction	Friction Coefficient	C 1028	> 0.6

ASTM Specifications shall be the current revision  
Test Reports available on request

The Rural Utility Service (RUS) is a department of the US Department of Agriculture organized to facilitate rural developments. You will find Oldcastle Enclosure Solutions brand enclosures listed by the RUS. All Oldcastle Enclosure Solutions brand enclosures conform to the RUS "Tamper Resistant" fastener design for buried pedestals.

**Product Load Rating:**



**Medium Duty or Heavy Duty : Incidental, Non-deliberate Traffic**

For use in non-vehicular traffic situations only.

**Note:**

Actual load rating is determined by the box and cover combination. Weights and dimensions may vary slightly  
All information contained on this sheet is current at the time of printing.  
Oldcastle Precast, Inc. reserves the right to discontinue or update product information without notice.



Rev 12/2016 ©2016 Oldcastle, Inc.